

>>Datasheet<<

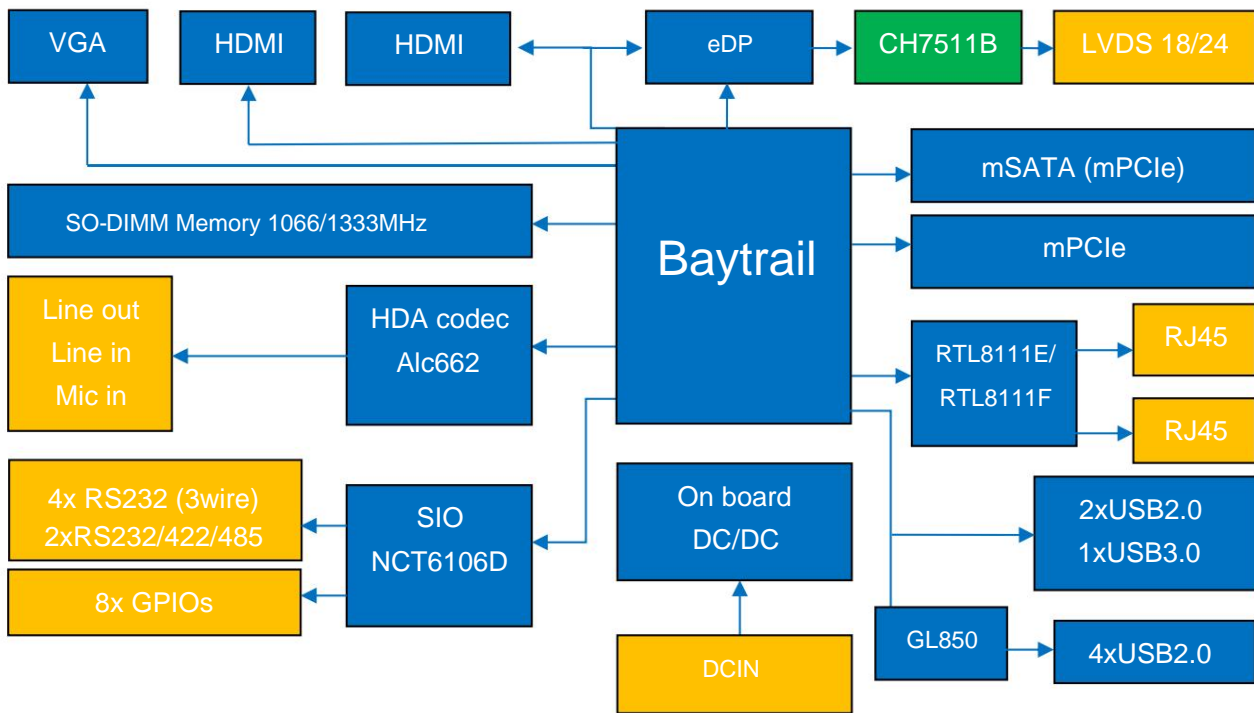
## PCM-B351C



### 3.5-inch motherboard, onboard Intel® Atom™ E38XX or Celeron™ J1900 series (SOC)

- » Intel® Atom™ E38xx or Celeron™ J1900 series SOC, power consumption: 5-10W
- » SO-DIMMDDR3L memory (voltage 1.35V, supports up to 8G) maximum frequency 1066MHz or 1333MHz
- » Support Intel seventh generation graphics core, OpenGL 3.0, OpenCL 1.2, DX11, H.264, MPEG2, MCV, VC-1, VP8
- » Support eDP 1.3, HDMI1.4a, VGA, LVDS (18/24-bit single channel or dual channel)
- » Support 10/100/1000Mbit Ethernet, SATA, mSATA (mPCIe) or mPCIe
- » USB 2.0 and USB 3.0 interface, RS232/422/485 serial port, GPIO interface
- » Input voltage: +9V~+24V, +12V is recommended
- » Operating temperature: -20°C to +75°C
- » Operating temperature: -40°C to +85°C (optional)

## PCM-B351C block diagram



Technical Information	
Plate type	3.5 inch motherboard
processor	<p>Intel <sup>®</sup> Atom™ E38xx/ Celeron™ J1x00 series SOC (single-core, dual-core or quad-core), power consumption: 5-10W)</p> <p>support:</p> <ul style="list-style-type: none"> <li>Intel <sup>®</sup> Atom™ E3805 single core 1.33GHz3W</li> <li>Intel <sup>®</sup> Atom™ E3815 single core 1.46GHz5W</li> <li>Intel <sup>®</sup> Atom™ E3825 dual core 1.33GHz6W</li> <li>Intel <sup>®</sup> Atom™ E3826 Dual Core 1.46GHz7W</li> <li>Intel <sup>®</sup> Atom™ E3827 Dual Core 1.75GHz8W</li> <li>Intel <sup>®</sup> Atom™ E3845 Quad Core 1.91GHz10W</li> <li>Intel <sup>®</sup> Celeron™ J1800 Dual Core 2.41GHz 10W</li> <li>Intel <sup>®</sup> Celeron™ J1900 Quad Core 2.0GHz 10W</li> </ul>
Memory	SO-DIMM DDR3L memory (voltage 1.35V, supports up to 8G) maximum frequency 1066MHz or 1333MHz
graphics processing	2 independent display outputs support eDP (maximum resolution 1920x1080) or LVDS (maximum resolution 1920x1080), HDMI1.4a (maximum resolution 1920x1080), VGA (maximum resolution 1920x1080)
network card	Supports 2 RJ45 (10/100/1000 Mb/s Ethernet)
SATA	Support 1 mSATA and 1 SATA2.0
USB	Supports 5 USB2.0 and 1 USB3.0/2.0 (4 of which are front-facing and 2 are built-in)
serial port	Supports 6 RS232 (3 lines), of which COM5 and COM6 are optional RS232/422/485
IO	Supports 1 mPCIe, 8 GPIO interfaces, 1 SIM card slot
Sound Card	ALC662 high-fidelity sound card (Line-in, Line-out, Mic-in)
Power	+9V~+24V voltage, +12V is recommended
Supply	Operating temperature -20°C to +75°C, (-40°C to +85°C optional)
Temperature	146 mm x 101 mm
Dimensions	Fanless design
Heat Dissipation Operating System	Win7, Win10, WES7, Linux

## Ordering Information

## model

PCM-B351C-A10-X

PCM-B351C-A11-X

PCM-B351C-A12-X

PCM-B351CW-A10-X

PCM-B351CW-A11-X

PCM-B351CW-A12-X

## describe

Display: 1x LVDS+ 1x HDMI or 1x LVDS+ 1x VGA

Display: 1x eDP+ 1x HDMI or 1x eDP+ 1x VGA

Display: 2x HDMI or 1x VGA+1x HDMI

Display: 1x LVDS+ 1x HDMI or 1x LVDS+ 1x VGA

Temperature:-40°C to +85°C

Display: 1x eDP+ 1x HDMI or 1x eDP+ 1x VGA

Temperature:-40°C to +85°C

Display: 2x HDMI or 1x VGA+ 1x HDMI

Temperature:-40°C to +85°C

## annotation:

X represents the CPU model. CPUs include: E3805, E3815, E3825, E3826, E3827, E3845, J1900