

>>Datasheet<<

PCM-B252



Micro 2.5-inch motherboard, onboard Intel® Atom™ E38XX/J1900 series (SOC)

- » Intel® Atom™ E38xx/J1900 series SOC (single-core, dual-core or quad-core), power consumption: 5-10W

- » 4GB onboard DDR3L memory (voltage 1.35V) maximum frequency 1333MHz

- » Supports Intel 7th generation graphics core, OpenGL 3.0, OpenCL 1.2, DX11, H.264, MPEG2, MCV, VC-1, VP8

- » Support VGA, HDMI1.4a, LVDS (6bit and 8bit optional)

- » Support 10/100/1000Mbit Ethernet (Intel I211AT/I210AT Ethernet), SATA, mSATA (half card) or expand the smartboard through the mPCIe connector

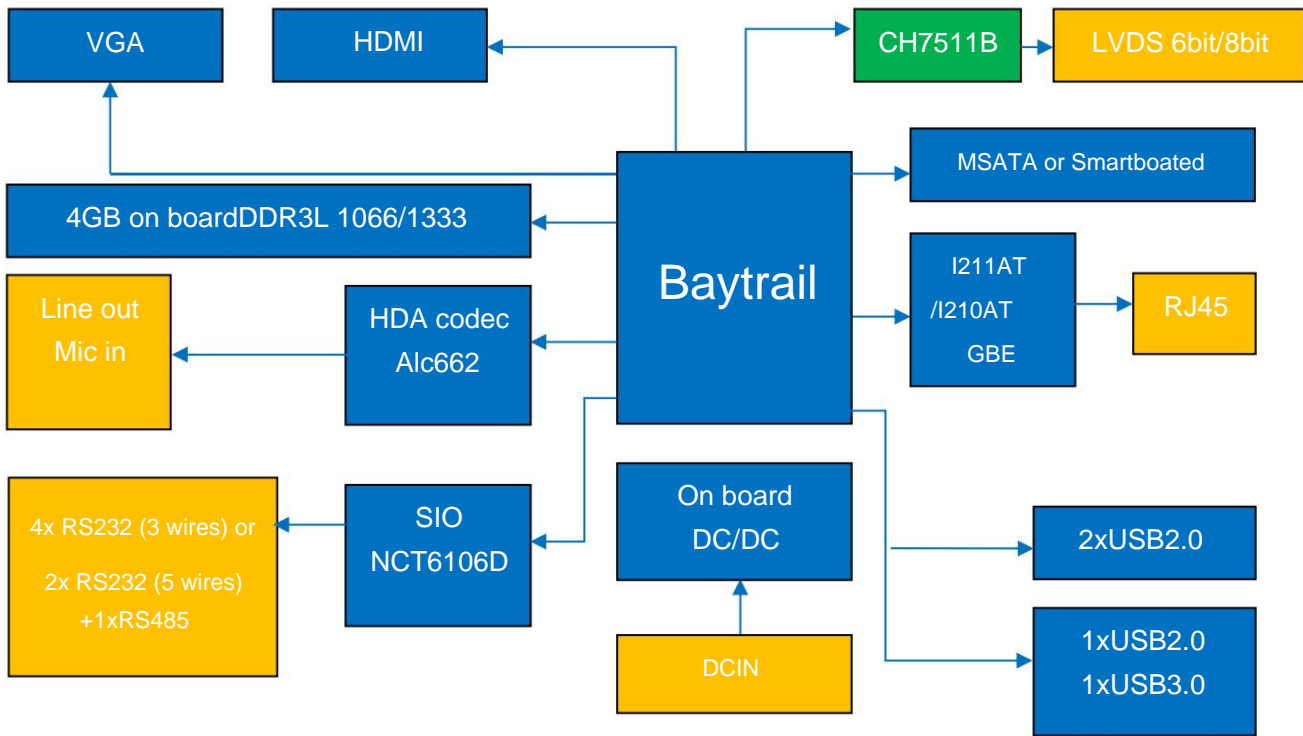
- » USB 2.0 and USB 3.0 interface, serial port, GPIO interface (smartboard small board expansion)

- » DC power input (voltage: +12V~+24V, optional 9-24V)

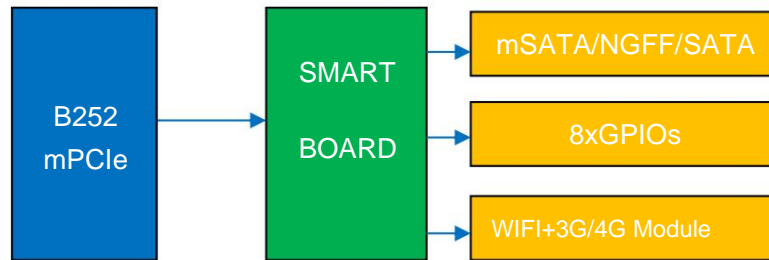
- » Operating temperature: -20°C to +75°C

- » Operating temperature: -40°C to +85°C (optional)

PCM-B252 block diagram



Smartboard



Technical Information	
Plate type	2.5 inch motherboard
processor	<p>Intel® Atom™ E38xx/j1900 series SOC (single-core, dual-core or quad-core), power consumption: 5-10W)</p> <p>support:</p> <p>Intel® Atom™ E3805 single core 1.33GHz 3W</p> <p>Intel® Atom™ E3815 single core 1.46GHz 5W</p> <p>Intel® Atom™ E3825 Dual Core 1.33GHz 6W</p> <p>Intel® Atom™ E3826 Dual Core 1.46GHz 7W</p> <p>Intel® Atom™ E3827 Dual Core 1.75GHz 8W</p> <p>Intel® Atom™ E3845 Quad Core 1.91GHz 10W</p> <p>Intel® Atom™ J1900 Quad Core 2.0GHz 10W</p> <p>Intel® Atom™ N2807 Dual Core 1.58GHz 4.3W</p>
Memory	4GB onboard DDR3L memory (voltage 1.35V), maximum frequency
graphics processing	1333MHz, 3 display output interfaces: LVDS (maximum resolution 1900x1200); HDMI 1.4a (front, maximum resolution 1920x1200); VGA (front-facing, maximum resolution 1920x1080), supports 2 channels of asynchronous display at the same time
network card	Supports 1 RJ45 (10/100/1000 Mb/s), integrated Intel I211AT/I210AT Ethernet card
SATA	Supports 1 mSATA or expands 1 Smartboard (supports 1 mSATA, 1 NGFF, 1 SATA)
USB	Supports 2 USB2.0 (built-in); 1 USB3.0 (front); 1 USB2.0 (front)
Serial	Supports 4 RS232 (3 lines) or 2 five-wire RS232 and 1 RS485
sound	ALC662 high-fidelity sound card (Line-out, Mic-in)
card	DC +12V~+24V voltage, DC+12V 5A is recommended, 9-24V is optional
power	Working temperature -20ÿ to +75ÿ, (-40ÿ to +85ÿ is optional)
supply	110mmx82mm
temperature	Fanless design
size heat dissipation operating system	Win7, Win10, Linux

Ordering Information	
model	describe
PCM-B252-A10-X	<p>Display: 1x VGA 1x HDMI 1XLVDS(6bit) Memory 4G</p> <p>Temperature: -20ÿ to +75ÿ</p>
PCM-B252-A11-X	<p>Display: 1x VGA 1x HDMI 1XLVDS(8bit) Memory 4G</p> <p>Temperature: -20ÿ to +75ÿ</p>
PCM-B252W-A10-X	<p>Display: 1x VGA 1x HDMI 1XLVDS(6bit) Memory 4G</p> <p>Temperature: -40ÿ to +85ÿ</p>
PCM-B252W-A11-X	<p>Display: 1x VGA 1x HDMI 1XLVDS(8bit) Memory 4G</p> <p>Temperature: -40ÿ to +85ÿ</p>
annotation:	
X represents the CPU model. CPUs include: E3805, E3815, E3825, E3826, E3827, E3845, J1900,N2807	